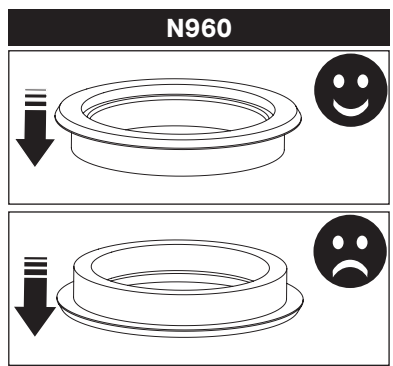
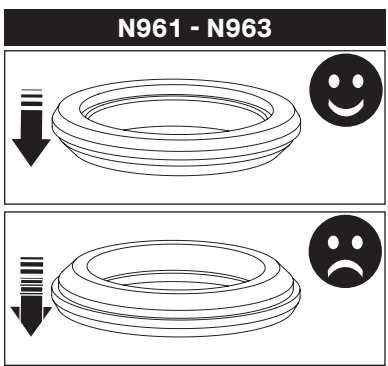
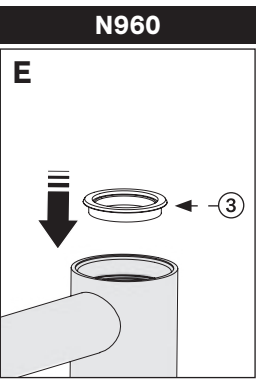
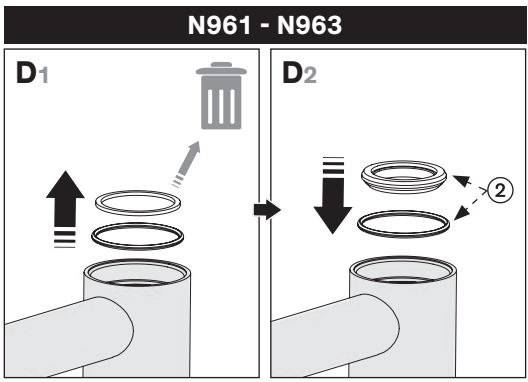
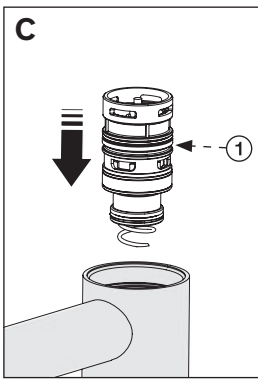
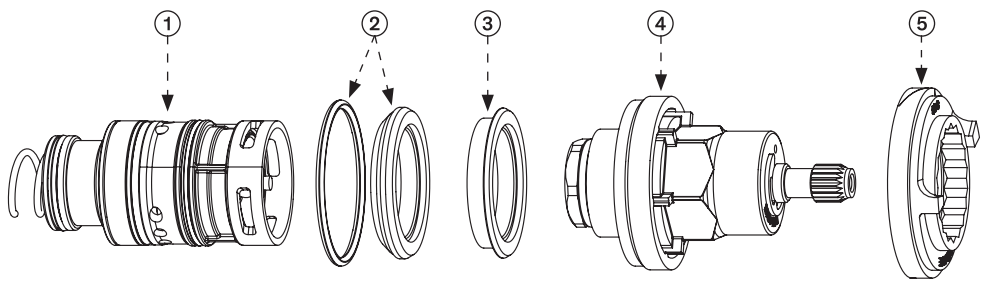
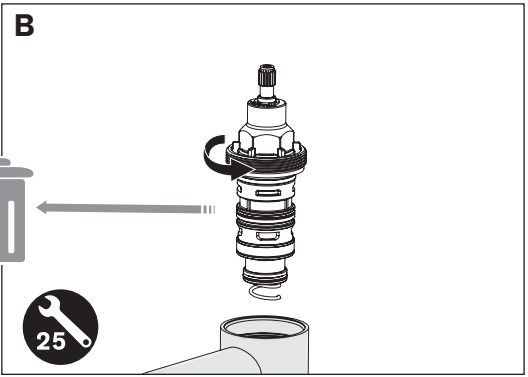
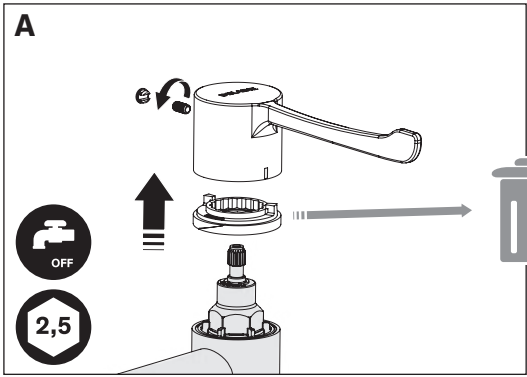


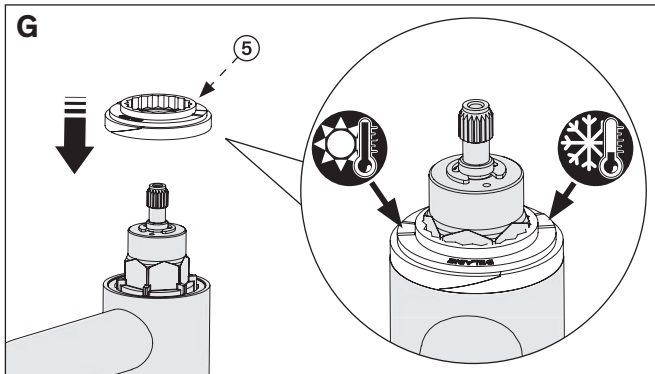
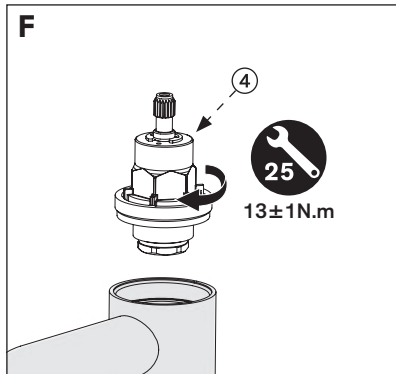
DELABIE

N960 - N961 - N963

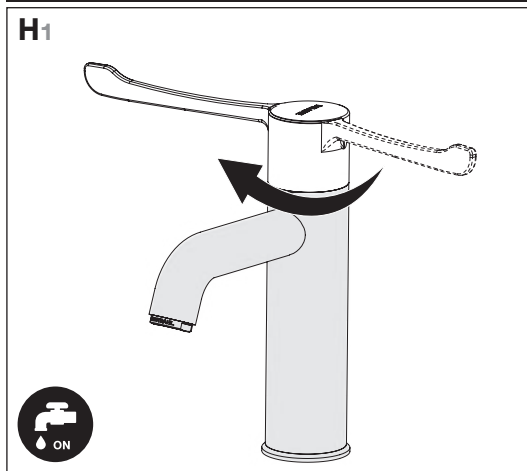
NT N960
Indice A



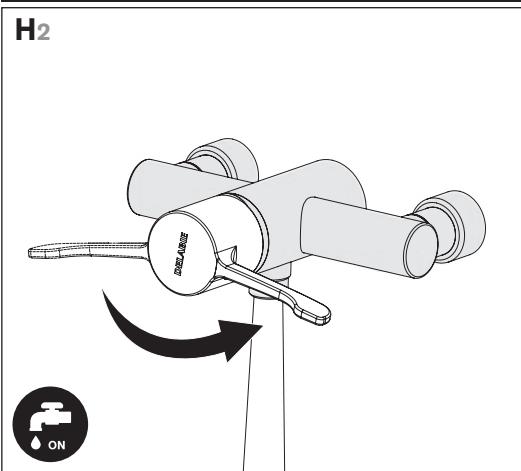




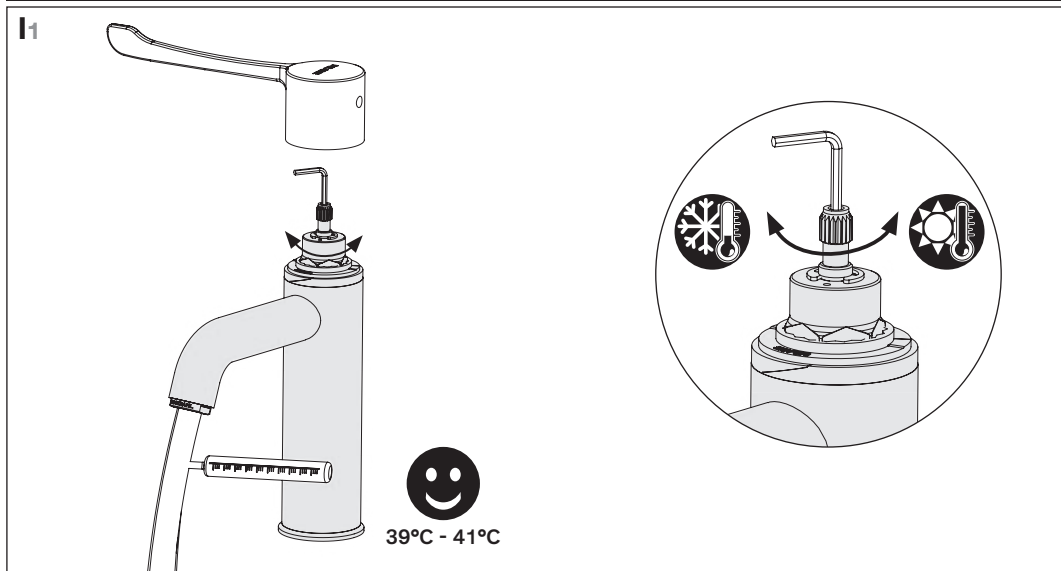
N960 - N961



N963

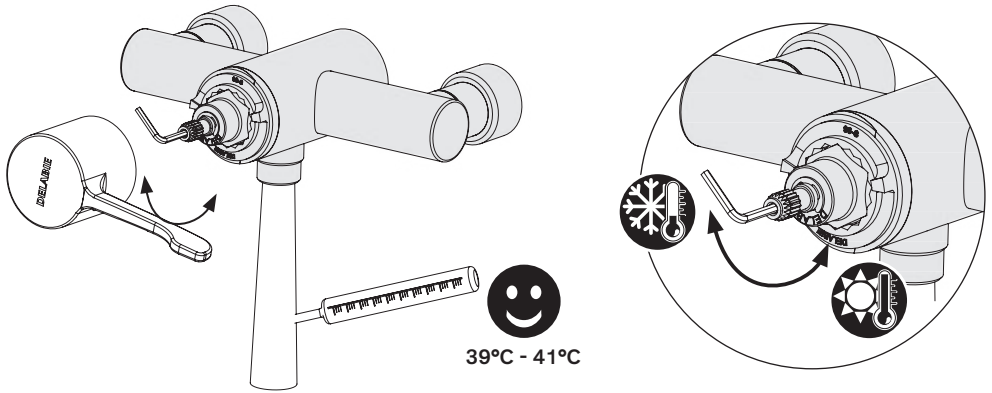


N960 - N961



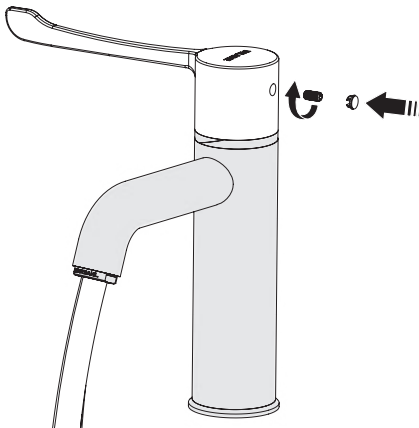
N963

I2

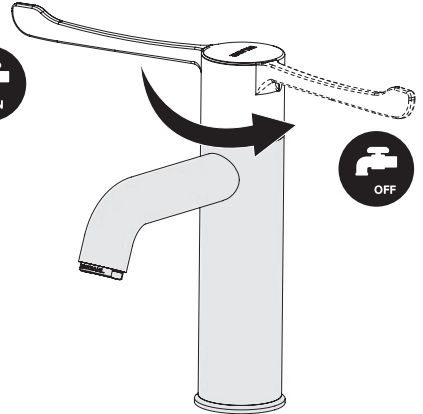


N960 - N961

J1

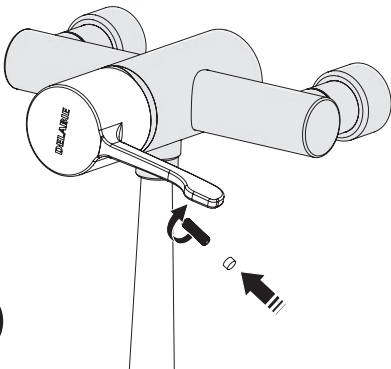


J2



N963

K1



K2

